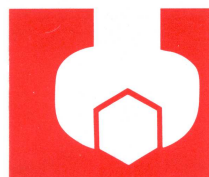
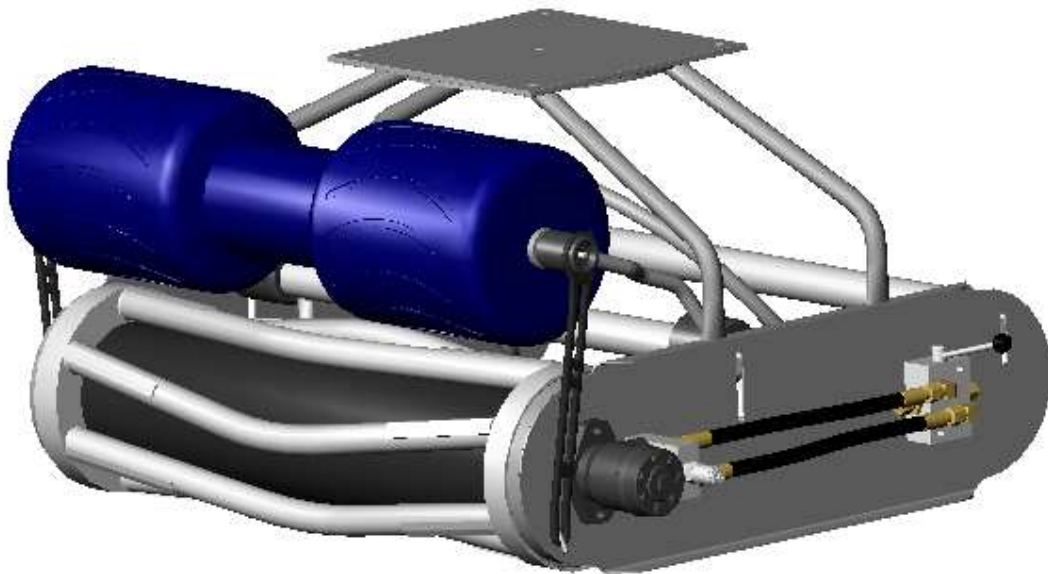
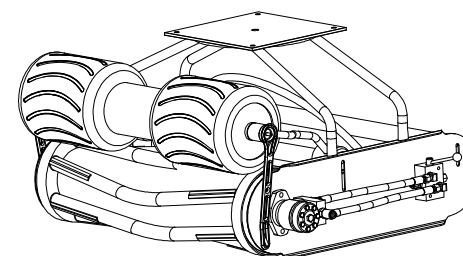
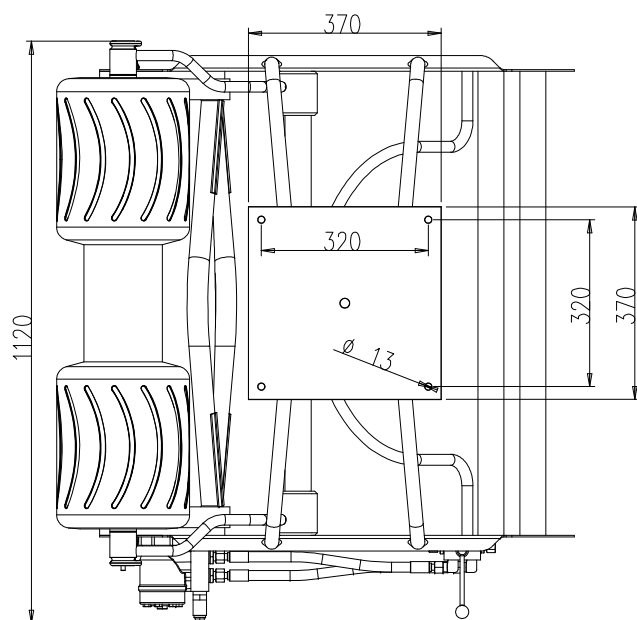
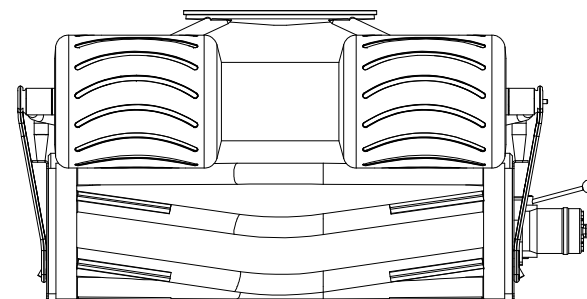
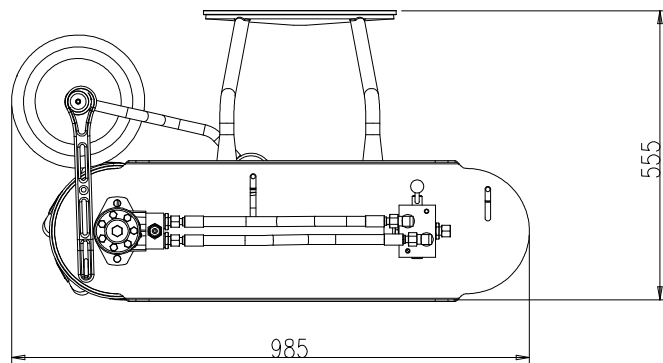
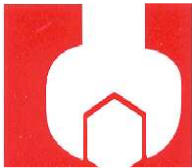


# TYPE 2



**ØSTBORNHOLMS  
KUTTERSERVICE**



Note:	 <b>ØSTBORNHOLMS KUTTERSERVICE</b> Telefon +45 56 49 65 82			
Note2:				
Assembly No.: EK01_0040	Description: Garnklarer TYPE 2			
Fremstillet af: JGK	Date: 29-03-2001	Filename: EK01_0051	Scale: 1:10	Weight: 72,6262