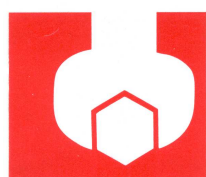
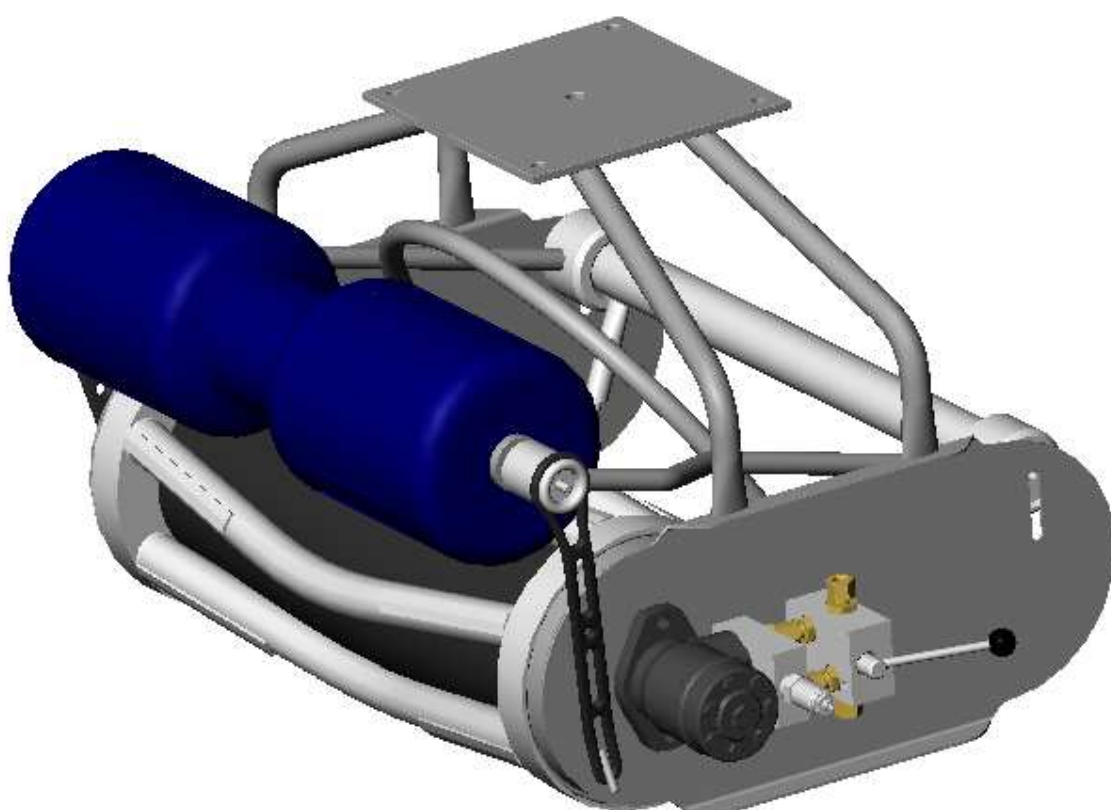
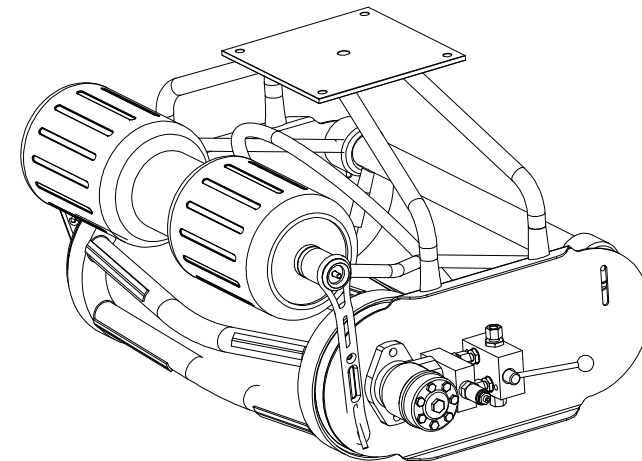
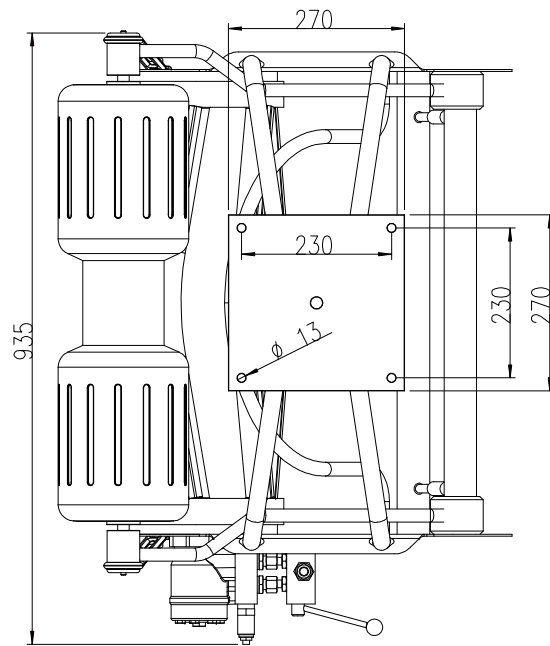
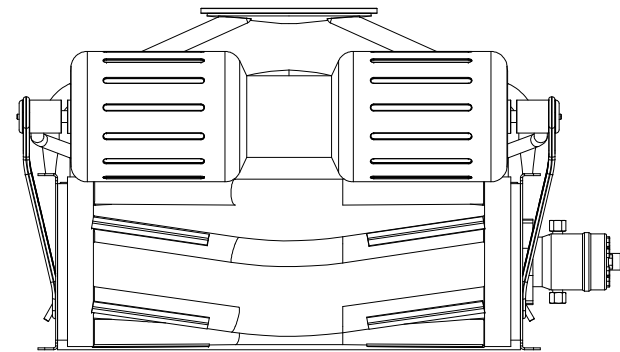
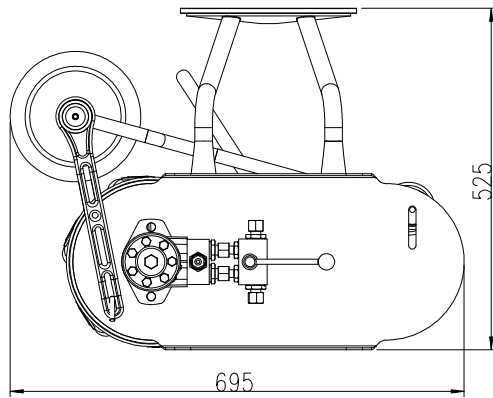


# TYPE 3



**ØSTBORNHOLMS  
KUTTERSERVICE**



Note:

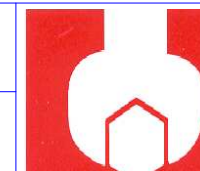
Note2:

Assembly No.:

EK01\_0300

Fremstillet af:

JGK



**ØSTBORNHOLMS  
KUTTERSERVICE**  
Telefon +45 56 49 65 82

Description:

Garnklarer type 3

Date

10-05-2001

Filename

EK01\_0360

Scale

1:8

Weight:

41,6061